

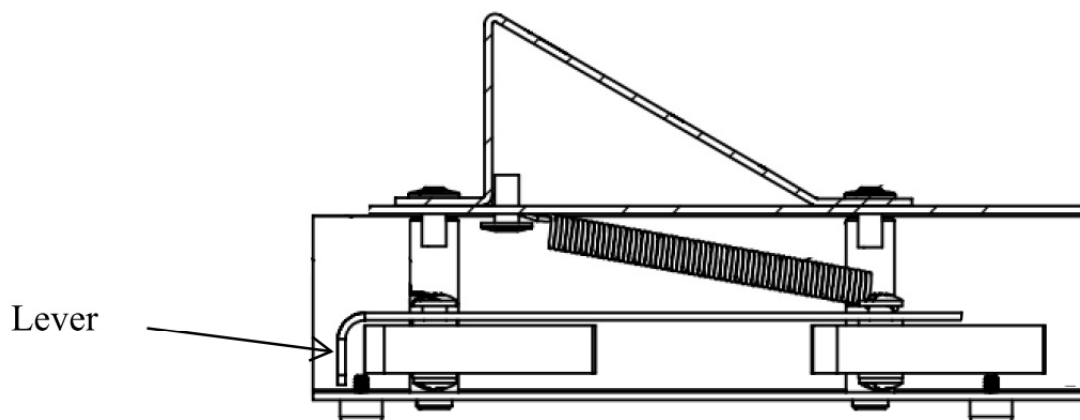


The Roof Rat Bracket

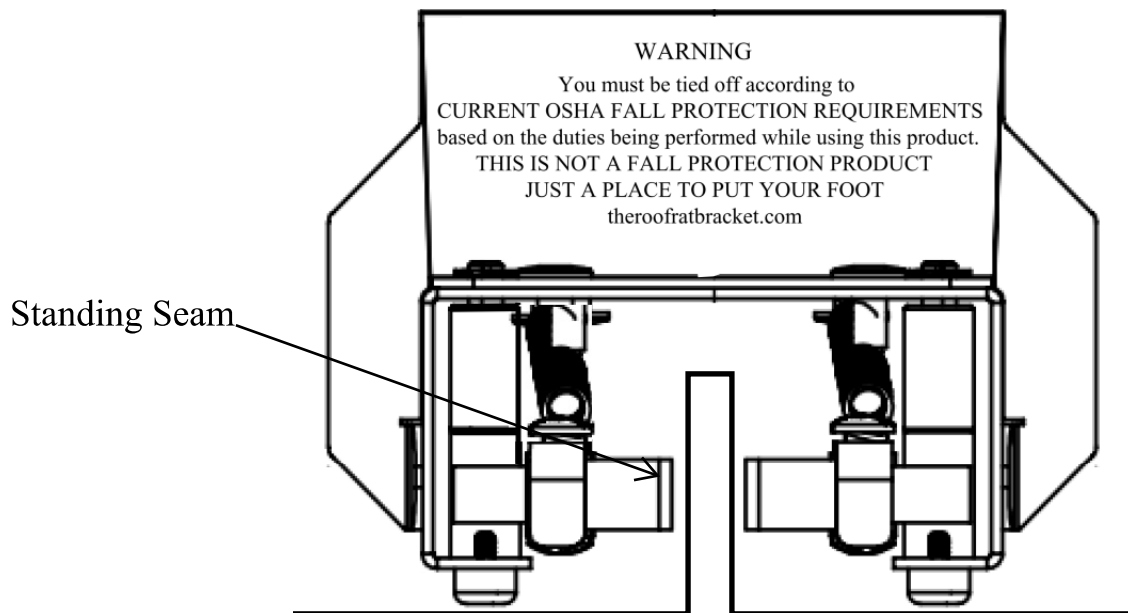


WARNING

You must be tied off according to
CURRENT OSHA FALL PROTECTION REQUIREMENTS
based on the duties being performed while using this product.
**THIS IS NOT A FALL PROTECTION PRODUCT
JUST A PLACE TO PUT YOUR FOOT**



- 1- Make sure Standing Seam is dry.
- 2- Press lever in on both sides to open cams



- 3- With cams open, set bracket firmly on deck with standing seam in between the cams, release lever.
- 4- To remove, **YOU MUST** press levers to open cams, lift off seam.

THEROOFRATBRACKET.COM

PROUDLY MADE IN THE UNITED STATES OF AMERICA

(Patent Pending)